

NIMO Submersible Luminaire

IP68

The Nimo is an LED submersible is designed for use in Zone 1 hazardous areas.

Key Features:

- LED light source for low maintenance operation.
- 316 Stainless steel construction for maximum marine protection.
- Submersible to a depth of thirty metres for extended periods.



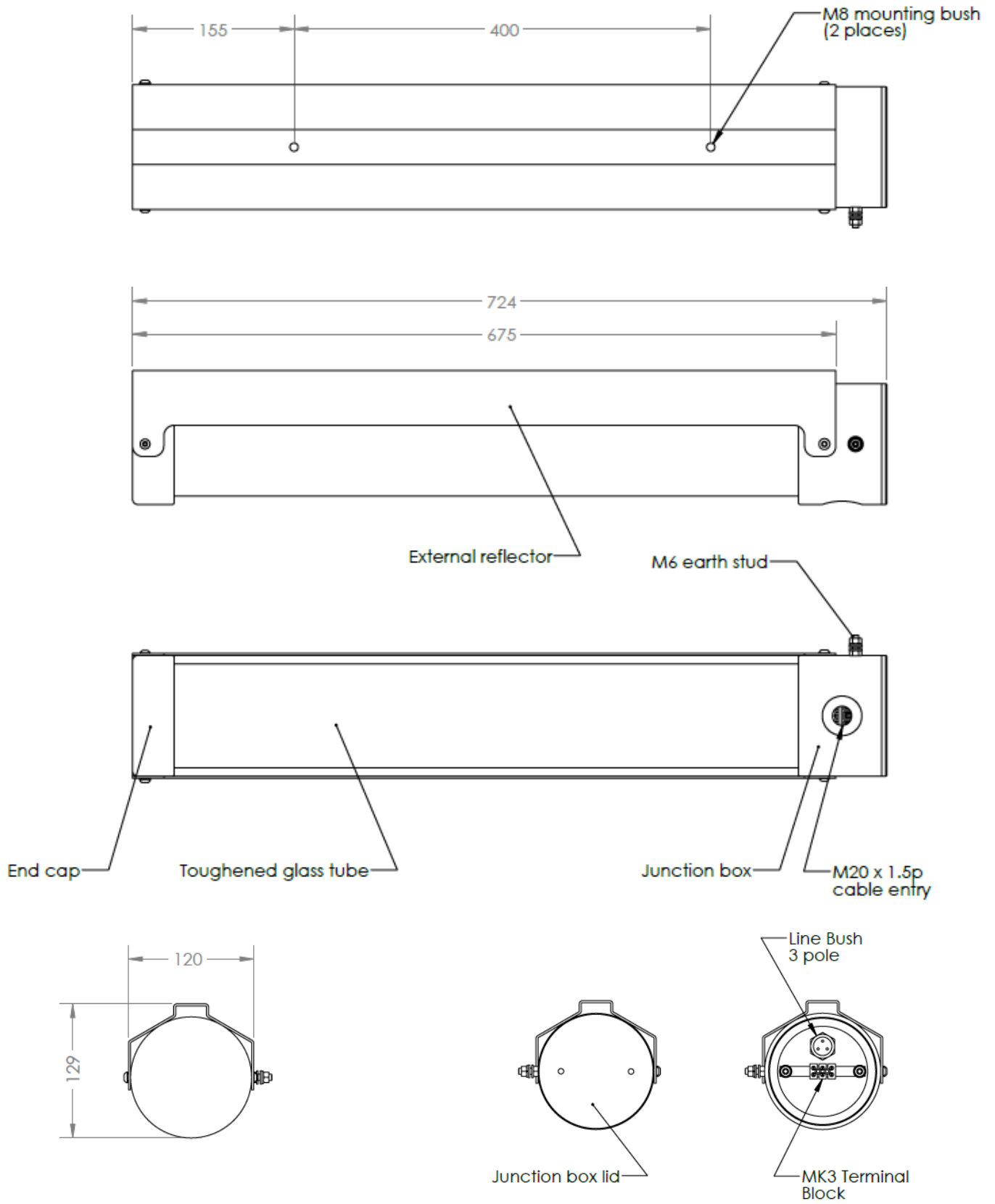
Luminaire Ratings

Product Reference	Lamp Type	Lamp Cap	Power (W)	Temperature Rating	Ambient Temperature*	Weight (kg)
LX1NIMO	LED	N/A	12W	T4	-20°C to 55°C	8.9

Standard Specifications

Luminaire Type	Zone 1 Submersible LED Luminaire
Ingress Protection	IP68 to 30m in accordance with EN60529
Material	316 Stainless Steel with toughened glass diffuser and stainless steel fasteners.
Distribution/output	~2000 lm
Lamp Types	Pure white LED 5700K
LED Life	50,000 hours L ₇₀ /B ₁₀ @ 25°C
Cable Entry	1 x M20 threaded entry
Terminals	Terminal block for up to 6mm ²
Control Gear	Electronic driver: EN60601-1 (CE), EN61204-3 (EMC), EN61000-4-5 (Surge Protection Class 3)
Supply	110 to 250V 50/60Hz ac dc
Certification	
Area Classification	Zone 1 Gas and Dust
Type of Protection	Ex eb ib qb op is (increased safety, intrinsic safety, quartz filled, optical radiation)
Apparatus Coding	II 2 GD Ex eb ib qb op is IIB T4
Certificate Number	CML 16ATEX3345, IECEx CML 16.0120

Luminaire Dimensions



Accessories

There are no accessories for this product.