

Exodus Bulkhead

LED IP66/67

The Exodus is an LED bulkhead is designed for use in heavy industrial environments. An emergency version with internal batteries is also available.

Key Features:

- Compact design is ideal for building perimeter, walkway or stairwell lighting.
- Maintained or Non-Maintained operation
- Manufactured LM24 Aluminium Alloy, powder coated for corrosion resistance.
- Can accommodate any fire exit sign to ISO 7010 (300mm x 150MM).
- 5 Year complete system warranty*.



Image shown features running man with arrow suffix



Luminaire Ratings

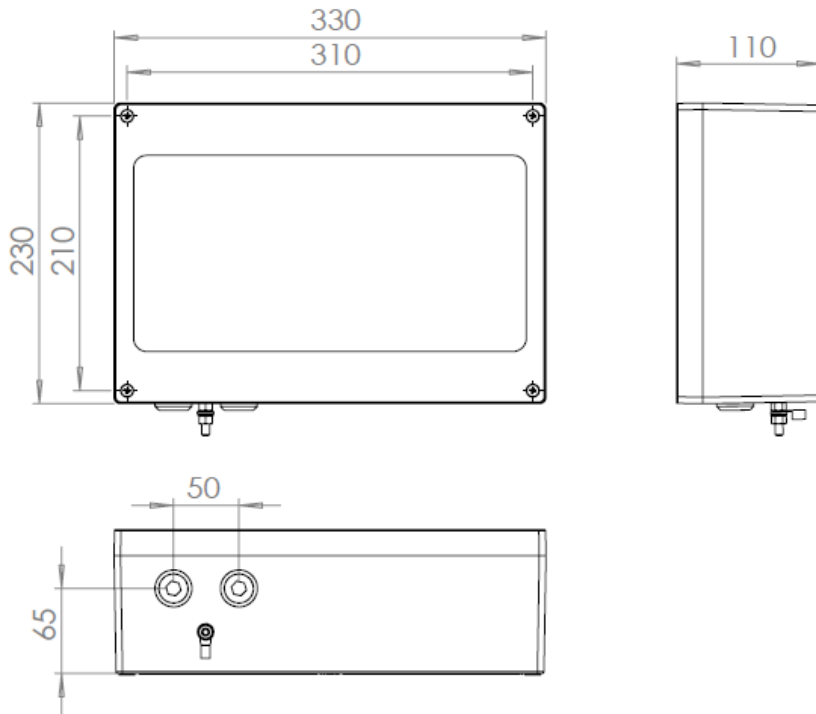
Product Reference	Colour Temperature (K)	Light output (lumens)	Power (W)	Ambient Temperature*	Weight (kg)
LX1EXO2LB57	5,700	2,200	20W	-20°C to 55°C	7.0
LX1EXOE2LB57	5,700	2,200	20W	-20°C to 55°C	8.0

E – Denotes emergency battery backup

Standard Specifications

Luminaire Type	LED bulkhead luminaire
Ingress Protection	IP66/67 to EN60529
Material	Marine grade Aluminium, powder coated housing, toughened glass window, Silicone gaskets and Stainless Steel grade 316 fasteners
Lamp Types	Light Emitting Diode, Pure White (5700K)
Colour Rendering Index	> 80
LED life	50,000 hours L ₇₀ @ 40°C
Cable Entry	2 x M20 threaded holes. Supplied with 2 x transit plug
Terminals	Looping terminal block for up to 4mm ² conductors
Control Gear	Electronic driver: EN60601-1 (CE), EN61204-3 (EMC), EN61000-4-5 (Surge Protection Class 3)
Orientation	Universal
Mounting	Via mounting holes in body
Supply	90 to 250V 50/60Hz ac dc
Battery	6V 4.5Ah Ni-Cd
Emergency Operation	Maintained mode as standard
Emergency Duration	180 minutes (3 hours) at 25% output
Certification	
Area Classification	Zone 1 & 21, Gas & Dust
Apparatus Coding	Ex II 2 GD Ex eb ib op is q IIB T4 Gb, Ex tb op is IIIC T135°C Db
Certificate Number	ATEX: CML 16ATEX3345 IECEx: CML 16.0120

* - Excludes batteries



Options

M25	M25 cable entries (other thread types available on request)
NM	Non-maintained emergency mode
90	90-minute emergency duration (90 minutes at 50% output)
RMS	Running man, with down arrow
RMRA	Running man right, with arrow
RMLA	Running man Left, with arrow
MPL	Marine protection finish (for use in highly saline coastal locations)
RALxxx	Specific paint colour (RAL number to be specified)

Add the required suffix to the product reference.

Example: **LX1EXO**E2LB57**M25RMRA** = Exodus emergency bulkhead with M25 entries and running man right exit sign

Accessories

LX4EXO-SRP	Stirrup mounting bracket (Stainless Steel)
------------	--